



Technical specification

Display light with mid power LEDs. Housing of Aluminum die-cast for efficient cooling of the LEDs. Separate NL Power LED electronic gear for optimal life time and light flow performance.

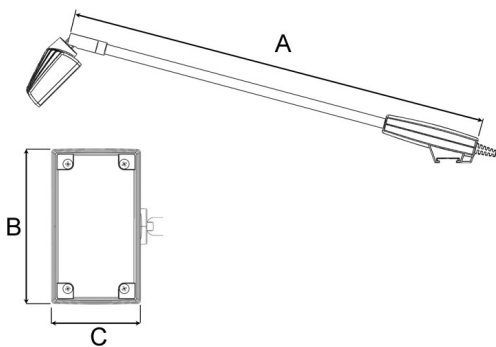
Model and colors

Available in Grey colour.

Technical data

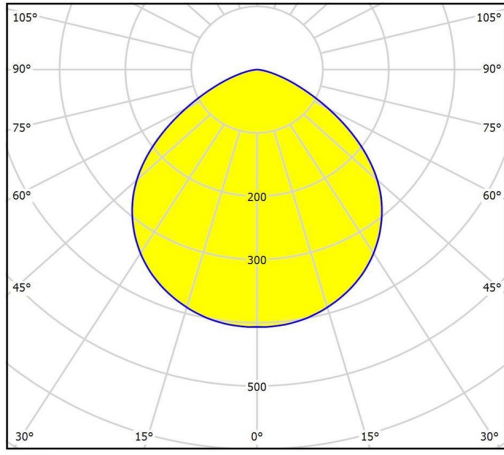
Mains (input) voltage	220-240 V
Form of protection	IP 20, class III
Color temperature	3 000K K
Color rendering index (CRI)	80+
Luminaire output	1219 lm
Light source	LED
Operating position	Vertical, tilting
Energy consumption	15 W
Driver	Separate
Safety glass	Included
Beam spreads	Flood

Art no	Description	Color
261-101-001	Dino mini	Grey



A 364 B 91 C 52 (mm)

Flood, 104°



cd/klm
 — C0 - C180 — C90 - C270

0.5	1.28	E(0°) E(CO)	52.1°	1983 230
1.0	2.57	E(0°) E(CO)	52.1°	496 57
1.5	3.85	E(0°) E(CO)	52.1°	220 26
2.0	5.14	E(0°) E(CO)	52.1°	124 14
2.5	6.42	E(0°) E(CO)	52.1°	79 9
3.0	7.71	E(0°) E(CO)	52.1°	55 6

Distance [m] Cone Diameter [m] Illuminance [lx]
 — C0 - C180 (Half-value Angle: 104.2°)