



**Technical specification**

Display light with mid power LEDs. Housing of Aluminum die-cast for efficient cooling of the LEDs. Separate NL Power LED electronic gear for optimal life time and light flow performance.

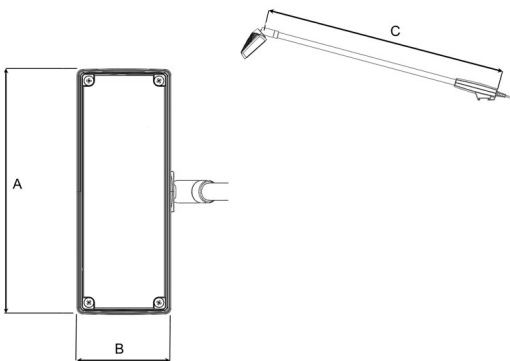
**Model and colors**

Available in Grey colour.

**Technical data**

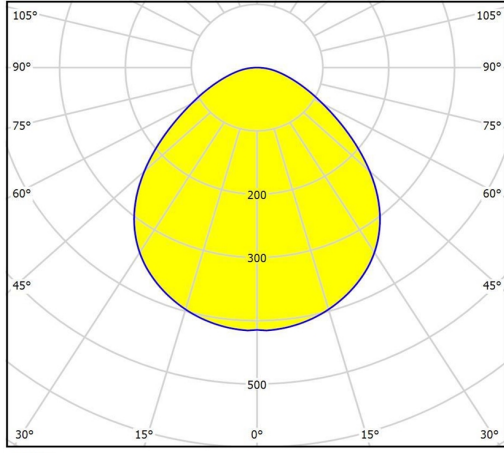
Mains (input) voltage	220-240 V
Form of protection	IP 20, class III
Color temperature	3 000K K
Color rendering index (CRI)	80+
Luminaire output	1114 lm
Light source	LED
Operating position	Vertical, tilting
Energy consumption	15 W
Driver	Separate
Safety glass	Included
Beam spreads	Flood

Art no	Description	Color
259-101-001	Dino	Grey



A 144 B 55 C 460 (mm)

**Flood, 99°**



cd/klm  
 — C0 - C180 — C90 - C270

0.5	1.17	E(0°) E(C0)	49.4°	1846 255
1.0	2.33	E(0°) E(C0)	49.4°	462 64
1.5	3.50	E(0°) E(C0)	49.4°	205 28
2.0	4.67	E(0°) E(C0)	49.4°	115 16
2.5	5.83	E(0°) E(C0)	49.4°	74 10
3.0	7.00	E(0°) E(C0)	49.4°	51 7

Distance [m]      Cone Diameter [m]      Illuminance [lx]  
 — C0 - C180 (Half-value Angle: 98.8°)