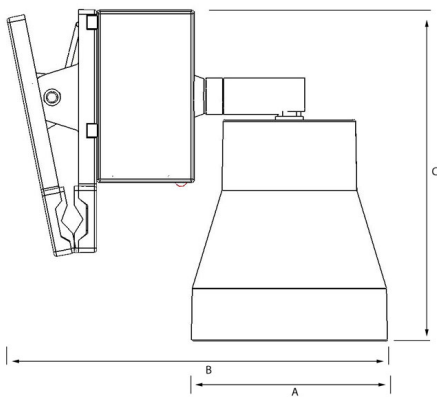




Spot		Medium		Flood	
15°		30°		53°	
m	ø	m	ø	m	ø
1.0	0.26	1.0	0.54	1.0	1.00
2.0	0.53	2.0	1.09	2.0	2.00
3.0	0.79	3.0	1.63	3.0	3.00



A 88 B 160 C 150 (mm)

Clamp LED 6L

Technical specification

Portable fixture with six high power LEDs. High quality transparent Polycarbonate lens with three beam spreads. Anti dazzle shade for reduced glare included as standard. Housing of Aluminum die-cast for efficient cooling of the LEDs. Integrated NL Power LED electronic ballast for optimal life time and light flow performance.

Model and colors Available in white.

Area of use Portable LED fixture for indoor applications.

Technical data

Mains (input) voltage	220-240 V
Total weight	0,60 kg
Form of protection	IP 20, class II
Color temperature	3 000 K
Color rendering index (CRI)	90
Light source	LED
Operating position	Universal
Control gear	Electronic
Start time	Instant
Driver	Built in
Optics	Transparent Polycarbonate
Beam spreads	Spot, Medium, Flood

Art no	Description	Color
148-510-10	Spot	White
148-511-10	Medium	White
148-512-10	Flood	White
189-58	Anti dazzle shade	Black

Type	Delivered lumen output (lm)	System power (W)	EEI ³
935	730	11	A+

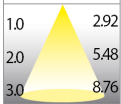
Note

Product available in other Kelvin temperatures by request. Final shipping destination may require minor modifications of components as well as article numbers, be sure to state the country in which the fixtures will be used.

Product measured without anti dazzle shade, elumdat files measured with anti dazzle shade is available at request.



Flood	
111°/174°	
m	ø
1.0	2.92
2.0	5.48
3.0	8.76



Corner Led

Technical specification

Linear LED fixture with built in driver.

Model and colors

Area of use Light for indoor back lighting, shelf lighting and other applications.

Technical data

Mains (input) voltage	220-240 V
Total weight	3,6 kg
Form of protection	IP 20, class I
Color temperature	3 000 K
Color rendering index (CRI)	80+
Light source	LED
Control gear	Electronic
Start time	Instant

Art no	Description	Color
264-500-30	Corner incl light source 3000K	Metallic grey

Type	Delivered lumen output (lm)	System power (W)	EEI ³
830	1300	20	A+



A 1500 B 78 C 78 (mm)



EasyPoint 1

Technical specification

Light fixture with incorporated electronic gear and Chip on board. High quality reflectors with three different beam spreads. Lamp housing of die-cast aluminium for optimal cooling, long lifetime and low weight. Fixed power cable 3,5m with plug.

Model and colors Available in white, black and grey.

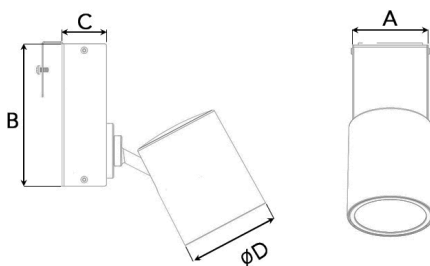
Area of use Functional ceiling for indoor applications.

Technical data

Mains (input) voltage	220-240 V
Total weight	1,2 kg
Form of protection	IP 20, class I
Light source	LED
Operating position	360°/90°
Start time	Instant
Driver	Built in
Optics	Metalized aluminum reflector
Beam spreads	Spot, Medium, Flood

Spot		Medium		Flood	
16°		31°		42°	
m	ø	m	ø	m	ø
1.0	0.28	1.0	0.56	1.0	0.78
2.0	0.57	2.0	1.12	2.0	1.55
3.0	0.85	3.0	1.68	3.0	2.33

Art no	Description	Color
321-503-10	Spot	White
321-503-20	Spot	Black
321-503-30	Spot	Grey
321-504-10	Medium	White
321-504-20	Medium	Black
321-504-30	Medium	Grey
321-505-10	Flood	White
321-505-20	Flood	Black
321-505-30	Flood	Grey



A 73 B 131 C 41 D 84 (mm)

Type	Delivered lumen output (lm)	System power (W)	EEI ³
930	2800	24	A++
940	2800	24,5	A++
840	2900	22	A++

Note

Product available in other Kelvin temperatures on request. Final shipping destination may require minor modifications of components as well as article numbers, be sure to state the country in which the fixtures will be used.



EasyPoint 3

Technical specification

Light fixture with incorporated electronic gear and Chip on board. High quality reflectors with three different beam spreads. Lamp housing of die-cast aluminium for optimal cooling, long lifetime and low weight. Fixed power cable 3,5m with plug.

Model and colors Available in white, black and grey.

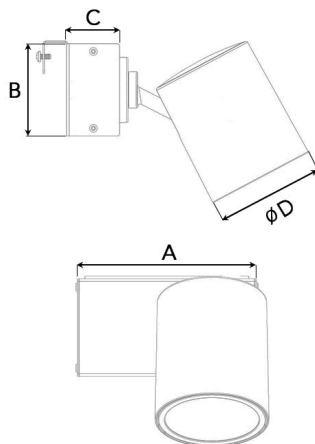
Area of use Functional ceiling for indoor applications.

Technical data

Mains (input) voltage	220-240 V
Total weight	1,2 kg
Form of protection	IP 20, class I
Light source	LED
Operating position	360°/90°
Start time	Instant
Driver	Built in
Optics	Metalized aluminum reflector
Beam spreads	Spot, Medium, Flood

Spot		Medium		Flood	
16°		31°		42°	
m	ø	m	ø	m	ø
1.0	0.28	1.0	0.56	1.0	0.78
2.0	0.57	2.0	1.12	2.0	1.55
3.0	0.85	3.0	1.68	3.0	2.33

Art no	Description	Color
321-513-10	Spot	White
321-513-20	Spot	Black
321-513-30	Spot	Grey
321-514-10	Medium	White
321-514-20	Medium	Black
321-514-30	Medium	Grey
321-515-10	Flood	White
321-515-20	Flood	Black
321-515-30	Flood	Grey



A 131 B 72 C 41 D 84 (mm)

Type	Delivered lumen output (lm)	System power (W)	EEI ³
930	2800	24	A++
940	2800	24,5	A++
840	2900	22	A++

Note

Product available in other Kelvin temperatures on request. Final shipping destination may require minor modifications of components as well as article numbers, be sure to state the country in which the fixtures will be used.



EasyPoint 2

Technical specification

Light fixture with incorporated electronic gear and Chip on board. High quality reflectors with three different beam spreads. Lamp housing of die-cast aluminium for optimal cooling, long lifetime and low weight. Fixed power cable 3,5m with plug.

Model and colors Available in white, black and grey.

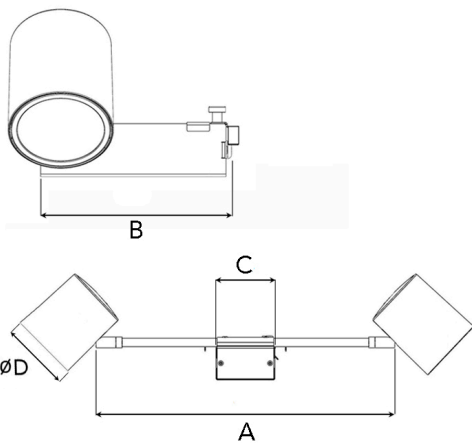
Area of use Functional ceiling for indoor applications.

Technical data

Mains (input) voltage	220-240 V
Total weight	1,65 kg
Form of protection	IP 20, class I
Light source	LED
Operating position	360°/90°
Start time	Instant
Driver	Built in
Optics	Metalized aluminum reflector
Beam spreads	Spot, Medium, Flood

Spot		Medium		Flood	
16°		31°		42°	
m	ø	m	ø	m	ø
1.0	0.28	1.0	0.56	1.0	0.78
2.0	0.57	2.0	1.12	2.0	1.55
3.0	0.85	3.0	1.68	3.0	2.33

Art no	Description	Color
321-523-10	Spot	White
321-523-20	Spot	Black
321-523-30	Spot	Grey
321-524-10	Medium	White
321-524-20	Medium	Black
321-524-30	Medium	Grey
321-525-10	Flood	White
321-525-20	Flood	Black
321-525-30	Flood	Grey



A 400 B 150 C 74 D 84 (mm)

Type	Delivered lumen output (lm)	System power (W)	EEI ³
930	2 x 2800	2 x 24	A++
940	2 x 2800	2 x 24,5	A++
840	2 x 2900	2 x 22	A++

Note

Product available in other Kelvin temperatures on request. Final shipping destination may require minor modifications of components as well as article numbers, be sure to state the country in which the fixtures will be used.



EasyPoint 4

Technical specification

Light fixture with incorporated electronic gear and Chip on board. High quality reflectors with three different beam spreads. Lamp housing of die-cast aluminium for optimal cooling, long lifetime and low weight. Fixed power cable 3,5m with plug.

Model and colors Available in white, black and grey.

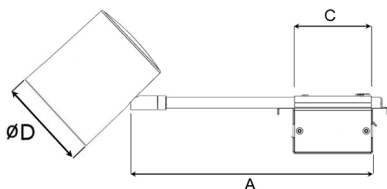
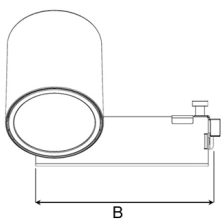
Area of use Functional ceiling for indoor applications.

Technical data

Mains (input) voltage	220-240 V
Total weight	1,3 kg
Form of protection	IP 20, class I
Light source	LED
Operating position	360°/90°
Start time	Instant
Driver	Built in
Optics	Metalized aluminum reflector
Beam spreads	Spot, Medium, Flood

Spot		Medium		Flood	
16°		31°		42°	
m	∅	m	∅	m	∅
1.0	0.28	1.0	0.56	1.0	0.78
2.0	0.57	2.0	1.12	2.0	1.55
3.0	0.85	3.0	1.68	3.0	2.33

Art no	Description	Color
321-533-10	Spot	White
321-533-20	Spot	Black
321-533-30	Spot	Grey
321-534-10	Medium	White
321-534-20	Medium	Black
321-534-30	Medium	Grey
321-535-10	Flood	White
321-535-20	Flood	Black
321-535-30	Flood	Grey



A 225 B 150 C 74 D 84 (mm)

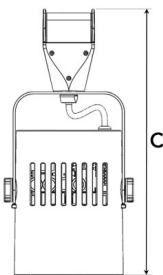
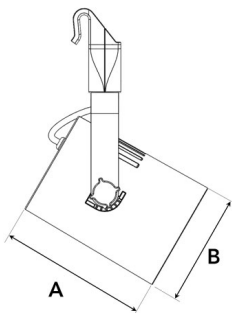
Type	Delivered lumen output (lm)	System power (W)	EEI ³
930	2800	24	A++
940	2800	24,5	A++
840	2900	22	A++

Note

Product available in other Kelvin temperatures on request. Final shipping destination may require minor modifications of components as well as article numbers, be sure to state the country in which the fixtures will be used.



Spot		Medium		Flood		Wide Flood	
14°		28°		39°		54°	
m	ø	m	ø	m	ø	m	ø
1.0	0.25	1.0	0.50	1.0	0.72	1.0	1.02
2.0	0.49	2.0	1.00	2.0	1.43	2.0	2.04
3.0	0.74	3.0	1.50	3.0	2.15	3.0	3.06



A 162 B 121 C 297 (mm)

Tubix R COB hook 3000

Technical specification

Light fixture with incorporated electronic gear and Chip on board. High quality reflectors with four different beam spreads. Lamp housing of die-cast aluminium for optimal cooling, long lifetime and low weight. Black front ring.

Model and colors Available in white, black and grey.

Accessories Flaps kit

Area of use Functional ceiling for indoor applications.

Technical data

Mains (input) voltage	220-240 V
Total weight	1,2 kg
Form of protection	IP 20, class I
Color temperature	3 000 K
Color rendering index (CRI)	90
Light source	LED
Operating position	360°/90°
Driver	Built in
Optics	Metalized aluminum reflector
Beam spreads	Spot, Medium, Flood, Wide flood

Art no	Description	Color
274-585-10	Spot	White
274-586-10	Medium	White
274-587-10	Flood	White
274-588-10	Wide flood	White
274-210-0xx-xx*	Flaps kit with reflector	
274-210-100-xx*	Flaps kit without reflector	
274-322-001	Filter holder	
265-307-001	Honeycomb filter	

Type	Delivered lumen output (lm)	System power (W)	EEI ³
830	2900	26	A++
930	2900	30	A+
840	3000	26	A++
940	2900	29	A+

Note

*Art nr. xx = Depends on beamspread and colour choice.

Product available with meat or bread COB on request. Product available in other Kelvin temperatures on request. Final shipping destination may require minor modifications of components as well as article numbers, be sure to state the country in which the fixtures will be used.



Ultra mini R COB hook 2000

Technical specification

LED light fixture with hook and incorporated electronic driver and Chip on board.

High color rendering index +90. High quality reflector with three different beam spreads.

Lamp housing of die-cast aluminium for optimal cooling, long lifetime and low weight

Model and colors Available in white, black and grey.

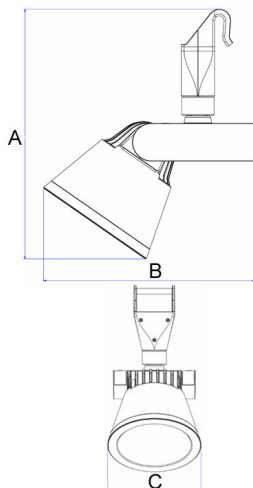
Area of use Functional ceiling for indoor applications.

Technical data

Mains (input) voltage	220-240 V
Total weight	0,62 kg
Form of protection	IP 20, class I
Color temperature	3 000 K
Color rendering index (CRI)	90
Light source	LED
Operating position	360°/90°
Control gear	Electronicdriver, built in
Start time	Instant
Reflector	Anodised Aluminium
Beam spreads	Spot, Medium, Flood

Art no	Description	Color
277-570-10	Spot w/o glass, with Hook	White
277-571-10	Medium w/o glass, with Hook	White
277-572-10	Flood w/o glass, with Hook	White

Spot	16°		Medium	22°		Flood	35°	
	m	ø		m	ø		m	ø
1.0	0.28	1.0	0.39	1.0	0.63	1.0	0.85	
2.0	0.57	2.0	0.78	2.0	1.26	2.0	1.89	
3.0	0.85	3.0	1.18	3.0	1.89	3.0	1.89	



A 223 B 177 C 89 (mm)

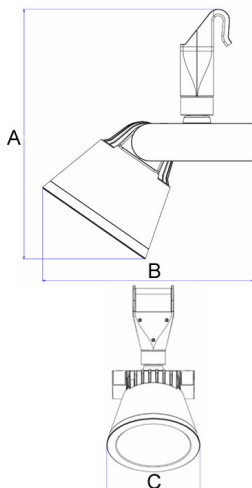
Type	Delivered lumen output (lm)	System power (W)	EEI ³
830	2000	17	A++
930	1900	19	A+
840	1900	15	A++
940	1900	17	A++

Note

Final shipping destination may require minor modifications of components as well as article numbers, be sure to state the country in which the fixtures will be used.



Spot		Medium		Flood		Wide Flood	
14°		28°		39°		54°	
m	ø	m	ø	m	ø	m	ø
1.0	0.25	1.0	0.50	1.0	0.72	1.0	1.02
2.0	0.49	2.0	1.00	2.0	1.43	2.0	2.04
3.0	0.74	3.0	1.50	3.0	2.15	3.0	3.06



A 263 B 222 C 132 (mm)

Ultra R COB hook 3000

Technical specification

LED light fixture with incorporated electronic gear and Chip on board. High quality reflectors with four different beam spreads. Lamp housing of die-cast aluminium for optimal cooling, long lifetime and low weight.

Model and colors Available in white, black and grey.

Area of use Functional ceiling for indoor applications.

Technical data

Mains (input) voltage	220-240 V
Total weight	1,2 kg
Form of protection	IP 20, class I
Color temperature	3 000 K
Color rendering index (CRI)	90
Light source	LED
Operating position	360°/90°
Start time	Instant
Driver	Built in
Optics	Metalized aluminum reflector
Beam spreads	Spot, Medium, Flood, Wide flood

Art no	Description	Color
265-575-10	Spot w/o glass, with Hook	White
265-576-10	Medium w/o glass, with Hook	White
265-577-10	Flood w/o glass, with Hook	White
265-578-10	Wide flood w/o glass, with Hook	White

Type	Delivered lumen output (lm)	System power (W)	EEI ³
830	2900	26	A++
930	2900	30	A+
840	3000	26	A++
940	2900	29	A+

Note

Product available with meat or bread COB on request. Product available in other Kelvin temperatures on request. Final shipping destination may require minor modifications of components as well as article numbers, be sure to state the country in which the fixtures will be used.