



Globe COB 3000

Technical specification

Pendulum with incorporated electronic gear for LED lamps. High quality lenses with different beam spreads.

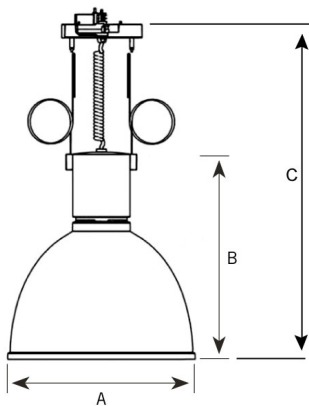
Model and colors Lampshade available in brushed aluminium. Mounting for monopoint or track. Cable always in black. Extendable cable 6m.

Area of use Pendulum for indoor applications.

Technical data

Mains (input) voltage	220-240 V
Total weight	4,43 kg
Form of protection	IP 20, class I
Color temperature	3 000 K
Color rendering index (CRI)	90
Light source	LED
Operating position	Vertical
Start time	Instant
Driver	Built in
Optics	Transparent Polycarbonate
Beam spreads	Spot, Medium, Flood

Spot		Medium		Flood	
17°		23°		38°	
m	ø	m	ø	m	ø
1.0	0.30	1.0	0.41	1.0	0.70
2.0	0.60	2.0	0.83	2.0	1.39
3.0	0.91	3.0	1.24	3.0	2.09



A 424 B 480 C 600 (mm)

Art no	Description	Color
221-530-20	Globe COB, Spot	Black
221-530-32	Globe COB , Spot	Dark Grey
221-531-20	Globe COB, Medium	Black
221-531-32	Globe COB , Medium	Dark Grey
221-532-20	Globe COB , Flood	Black
221-532-32	Globe COB, Flood	Dark Grey
054-70-10	Monopoint with Bracket	White
054-70-20	Monopoint with Bracket	Black
054-70-30	Monopoint with Bracket	Grey
054-71-10	Track bracket	White
054-71-20	Track bracket	Black

Type	Delivered lumen output (lm)	System power (W)	EEI ³
830	2800	27	A+
930	2650	30	A+
840	2700	24	A++
940	2650	27	A+

Note

Final shipping destination may require minor modifications of components as well as article numbers, be sure to state the country in which the fixtures will be used. Special versions can also be produced depending on quantity. North American versions also available.



Globe COB 4000

Technical specification

Pendulum with incorporated electronic gear for LED lamps. High quality lenses with different beam spreads.

Model and colors Lampshade available in brushed aluminium. Mounting for monopoint or track. Cable always in black. Extendable cable 6m.

Area of use Pendulum for indoor applications.

Technical data

Mains (input) voltage	220-240 V
Total weight	4,43 kg
Form of protection	IP 20, class I
Color temperature	3 000 K
Color rendering index (CRI)	80
Light source	LED
Operating position	Vertical
Start time	Instant
Driver	Built in
Optics	Transparent Polycarbonate
Beam spreads	Spot, Medium, Flood

Spot		Medium		Flood	
23°		32°		37°	
m	ø	m	ø	m	ø
1.0	0.40	1.0	0.57	1.0	0.67
2.0	0.81	2.0	1.13	2.0	1.34
3.0	1.21	3.0	1.70	3.0	2.01

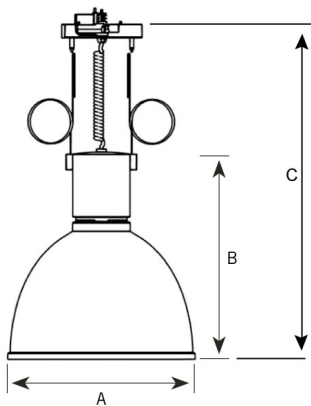


Art no	Description	Color
221-540-20	Globe COB , Spot	Black
221-540-32	Globe COB , Spot	Dark Grey
221-541-20	Globe COB , Medium	Black
221-541-32	Globe COB , Medium	Dark Grey
221-542-20	Globe COB , Flood	Black
221-542-32	Globe COB , Flood	Dark Grey
054-70-10	Monopoint with Bracket	White
054-70-20	Monopoint with Bracket	Black
054-70-30	Monopoint with Bracket	Grey
054-71-10	Track bracket	White
054-71-20	Track bracket	Black

Type	Delivered lumen output (lm)	System power (W)	EEI ³
830	3950	40	A+
930	3450	40	A+
840	4400	40	A++
940	3800	40	A+

Note

Final shipping destination may require minor modifications of components as well as article numbers, be sure to state the country in which the fixtures will be used. Special versions can also be produced depending on quantity. North American versions also available.



A 424 B 480 C 600 (mm)



Globe mini COB 3000

Technical specification

Pendant light with incorporated electronic gear for LED lamps. High quality reflector with different beam spreads.

Model and colors Available in aluminium or black shade with gold reflector.

Area of use Pendant light for indoor applications.

Technical data

Mains (input) voltage	220-240 V
Total weight	2,8 kg
Form of protection	IP 20, class I
Color temperature	3 000 K
Color rendering index (CRI)	90
Light source	LED
Operating position	Vertical
Start time	Instant
Driver	Built in
Optics	Opaque diffuser/Optic lens
Beam spreads	Spot, Medium, Flood

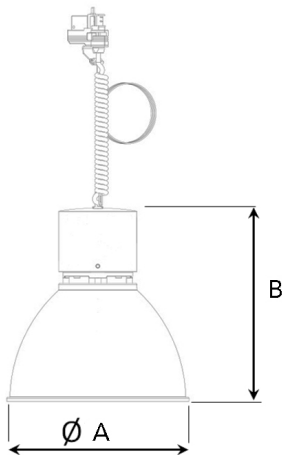
Art no	Description	Color
304-540-20	Spot	Aluminium
304-541-20	Medium	Aluminium
304-542-20	Flood	Aluminium

Spot		Medium		Flood	
16°		25°		34°	
m	Ø	m	Ø	m	Ø
1.0	0.28	1.0	0.44	1.0	0.62
2.0	0.56	2.0	0.88	2.0	1.24
3.0	0.83	3.0	1.32	3.0	1.86

Type	Delivered lumen output (lm)	System power (W)	EEI ³
930 Spot	3100	40	A
930 Medium	3000	34	A+
930 Flood	3000	34	A+

Note

Final shipping destination may require minor modifications of components as well as article numbers, be sure to state the country in which the fixtures will be used. Special versions can also be produced depending on quantity.



A 304 B 326 (mm)



Globe mini COB 3000 Gold

Technical specification

Pendant light with incorporated electronic gear for LED lamps. High quality reflector with different beam spreads.

Model and colors Available in black shade with gold reflector or aluminium.

Area of use Pendant light for indoor applications.

Technical data

Mains (input) voltage	220-240 V
Total weight	2,8 kg
Form of protection	IP 20, class I
Color temperature	3 000 K
Color rendering index (CRI)	90
Light source	LED
Operating position	Vertical
Start time	Instant
Driver	Built in
Optics	Opaque diffuser/Optic lens
Beam spreads	Spot, Medium, Flood

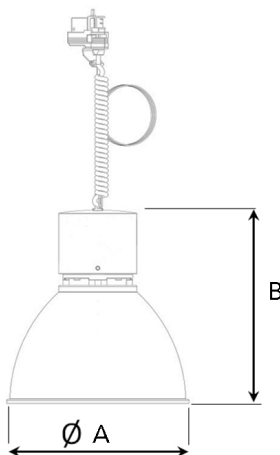
Art no	Description	Color
304-520-20	Spot	Black / Gold
304-531-20	Medium	Black / Gold
304-532-20	Flood	Black / Gold

Spot		Medium		Flood	
16°		25°		34°	
m	Ø	m	Ø	m	Ø
1.0	0.28	1.0	0.44	1.0	0.62
2.0	0.56	2.0	0.88	2.0	1.24
3.0	0.83	3.0	1.32	3.0	1.86

Type	Delivered lumen output (lm)	System power (W)	EEI ³
930 Spot	3100	40	A
930 Medium	3000	34	A+
930 Flood	3000	34	A+

Note

Final shipping destination may require minor modifications of components as well as article numbers, be sure to state the country in which the fixtures will be used. Special versions can also be produced depending on quantity.



A 304 B 326 (mm)



Globe 16L+

Technical specification

Pendulum with incorporated electronic gear for LED lamps. High quality lenses with different beam spreads.

Model and colors Lampshade available in brushed aluminium. Mounting for monopoint or track. Cable always in black. Extendable cable 6m.

Area of use Pendulum for indoor applications.

Technical data

Mains (input) voltage	220-240 V
Total weight	4,43 kg
Form of protection	IP 20, class I
Color temperature	3 000 K
Color rendering index (CRI)	90
Light source	LED
Operating position	Vertical
Start time	Instant
Driver	Built in
Optics	Transparent Polycarbonate
Beam spreads	Spot, Medium, Flood

Spot		Medium		Flood	
17°		32°		59°	
m	ø	m	ø	m	ø
1.0	0.30	1.0	0.58	1.0	1.04
2.0	0.59	2.0	1.16	2.0	2.07
3.0	0.89	3.0	1.74	3.0	3.11

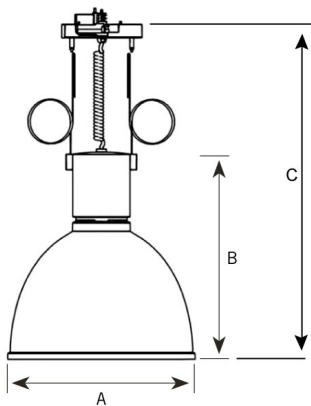


Art no	Description	Color
221-500-20	Globe 16L+ , Spot	Black
221-500-32	Globe 16L+ , Spot	Dark Grey
221-501-20	Globe 16L+ , Medium	Black
221-501-32	Globe 16L+ , Medium	Dark Grey
221-502-20	Globe 16L+ , Flood	Black
221-502-32	Globe 16L+ , Flood	Dark Grey
054-70-10	Monopoint with Bracket	White
054-70-20	Monopoint with Bracket	Black
054-70-30	Monopoint with Bracket	Grey
054-71-10	Track bracket	White
054-71-20	Track bracket	Black

Type	Delivered lumen output (lm)	System power (W)	EEI ³
930	3000	48	A+

Note

Final shipping destination may require minor modifications of components as well as article numbers, be sure to state the country in which the fixtures will be used. Special versions can also be produced depending on quantity. North American versions also available.



A 424 B 480 C 600 (mm)



Globe 24L

Technical specification

Pendulum with incorporated electronic gear for LED lamps. High quality lenses with different beam spreads.

Model and colors Lampshade available in brushed aluminium. Mounting for monopoint or track. Cable always in black. Extendable cable 6m.

Area of use Pendulum for indoor applications.

Technical data

Mains (input) voltage	220-240 V
Total weight	4,43 kg
Form of protection	IP 20, class I
Color temperature	3 000 K
Color rendering index (CRI)	90
Light source	LED
Operating position	Vertical
Start time	Instant
Driver	Built in
Optics	Transparent Polycarbonate
Beam spreads	Spot, Medium, Flood

Spot		Medium		Flood	
12°		31°		50°	
m	ø	m	ø	m	ø
1.0	0.22	1.0	0.56	1.0	0.94
2.0	0.43	2.0	1.12	2.0	1.87
3.0	0.65	3.0	1.68	3.0	2.81

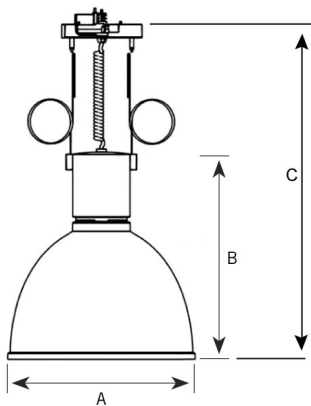


Art no	Description	Color
221-503-20	Globe 24L , Spot	Black
221-503-32	Globe 24L , Spot	Dark Grey
221-504-20	Globe 24L , Medium	Black
221-504-32	Globe 24L , Medium	Dark Grey
221-505-20	Globe 24L , Flood	Black
221505-32	Globe 24L , Flood	Dark Grey
054-70-10	Monopoint with Bracket	White
054-70-20	Monopoint with Bracket	Black
054-70-30	Monopoint with Bracket	Grey
054-71-10	Track bracket	White
054-71-20	Track bracket	Black

Type	Delivered lumen output (lm)	System power (W)	EEI ³
930	3800	56	A+

Note

Final shipping destination may require minor modifications of components as well as article numbers, be sure to state the country in which the fixtures will be used. Special versions can also be produced depending on quantity. North American versions also available.



A 424 B 480 C 600 (mm)



Globe 24L Maxi

Technical specification

Pendulum with incorporated electronic gear for LED lamps. High quality cylindrical reflector with die-cast aluminum for optimal stability and low weight.

Model and colors Lampshade available in brushed aluminium. Mounting for monopoint or track. Cable always in black. Extendable cable 6m.

Area of use Pendulum for indoor applications.

Technical data

Mains (input) voltage	220-240 V
Total weight	8,9 kg
Form of protection	IP 20, class I
Color temperature	3 000/ 4 000 K
Color rendering index (CRI)	90
Light source	LED
Operating position	Vertical
Start time	Instant
Driver	Built in
Optics	Transparent Polycarbonate
Beam spreads	Spot, Medium, Flood

Spot		Medium		Flood	
12°		31°		50°	
m	ø	m	ø	m	ø
1.0	0.22	1.0	0.56	1.0	0.94
2.0	0.43	2.0	1.12	2.0	1.87
3.0	0.65	3.0	1.68	3.0	2.81

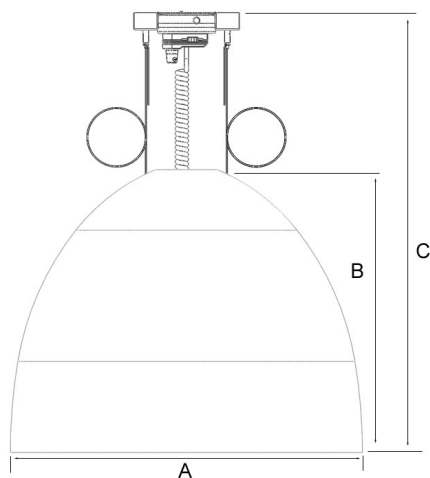


Art no	Description	Color
221-507-20	Globe 24L Maxi, Spot	Black
221-507-32	Globe 24L Maxi, Spot	Dark Grey
221-506-20	Globe 24L Maxi, Medium	Black
221-506-32	Globe 24L Maxi, Medium	Dark Grey
221-508-20	Globe 24L Maxi, Flood	Black
221-508-32	Globe 24L Maxi, Flood	Dark Grey
054-70-10	Monopoint with Bracket	White
054-70-20	Monopoint with Bracket	Black
054-70-30	Monopoint with Bracket	Grey
054-71-10	Track bracket	White
054-71-20	Track bracket	Black

Type	Delivered lumen output (lm)	System power (W)	EEI ³
930	3800	56	A+

Note

Final shipping destination may require minor modifications of components as well as article numbers, be sure to state the country in which the fixtures will be used. Special versions can also be produced depending on quantity. North American versions also available.



A 600 B 483 C 600 (mm)



Pendix 3000

Technical specification

Pendulum for LED lamps. High quality cylindrical reflector with Spot, Medium, Flood or Wide Flood beam spread. Housing of sheet metal.

Model and colors Available in white, black or grey. Cable length 4m.

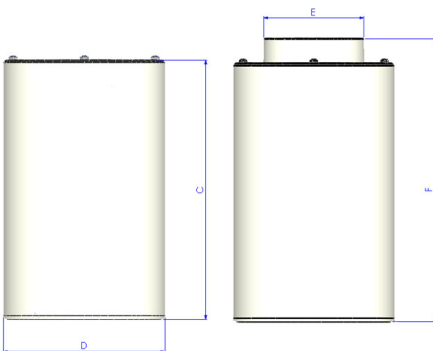
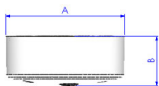
Area of use Pendant for wire or ceiling mount.

Technical data

Mains (input) voltage	220-240 V
Total weight	2,5 kg
Form of protection	IP 20, class I
Light source	LED
Operating position	Vertical
Driver	Electronic, built in
Optics	Metalized aluminum reflector
Beam spreads	Spot, Medium, Flood, Wide flood

Art no	Description	Color
290-510-10	Spot	White
290-510-20	Spot	Black
290-510-30	Spot	Grey
290-511-10	Medium	White
290-511-20	Medium	Black
290-511-30	Medium	Grey
290-512-10	Flood	White
290-512-20	Flood	Black
290-512-30	Flood	Grey
290-513-10	Wide flood	White
290-513-20	Wide flood	Black
290-513-30	Wide flood	Grey

Spot		Medium		Flood		Wide Flood	
14°		26°		37°		55°	
m	ø	m	ø	m	ø	m	ø
1.0	0.24	1.0	0.47	1.0	0.68	1.0	1.05
2.0	0.48	2.0	0.94	2.0	1.35	2.0	2.10
3.0	0.72	3.0	1.41	3.0	2.03	3.0	3.15



A 117 B 49 C 256 D 159 E 99 (mm)

Type	Delivered lumen output (lm)	System power (W)	EEI ³
930	2800	24	A++
940	2800	24,5	A++
840	2900	22	A++

Note

*Product available with meat or bread COB.

Final shipping destination may require minor modifications of components as well as catalogue numbers, be sure to state the country in which the fixtures will be used.



Pendix 4000

Technical specification

Pendulum for LED lamps. High quality cylindrical reflector with Spot, Medium, Flood or Wide Flood beam spread. Housing of sheet metal.

Model and colors Available in white, black or grey. Cable length 4m.

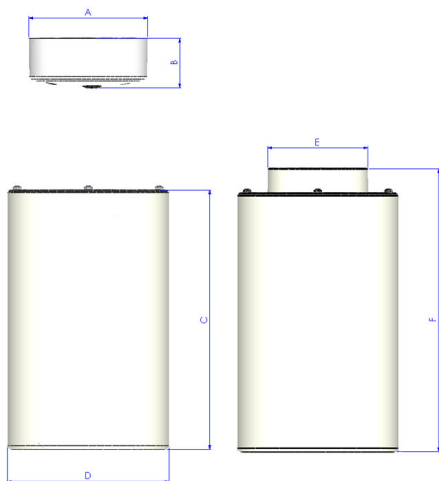
Area of use Pendant for wire or ceiling mount.

Technical data

Mains (input) voltage	220-240 V
Total weight	2,5 kg
Form of protection	IP 20, class I
Light source	LED
Operating position	Vertical
Driver	Electronic, built in
Optics	Metalized aluminum reflector
Beam spreads	Spot, Medium, Flood, Wide flood

Art no	Description	Color
290-530-10	Spot	White
290-530-20	Spot	Black
290-530-30	Spot	Grey
290-531-10	Medium	White
290-531-20	Medium	Black
290-531-30	Medium	Grey
290-532-10	Flood	White
290-532-20	Flood	Black
290-532-30	Flood	Grey
290-533-10	Wide flood	White
290-533-20	Wide flood	Black
290-533-30	Wide flood	Grey

Spot		Medium		Flood		Wide Flood	
14°		26°		37°		55°	
m	ø	m	ø	m	ø	m	ø
1.0	0.24	1.0	0.47	1.0	0.68	1.0	1.05
2.0	0.48	2.0	0.94	2.0	1.35	2.0	2.10
3.0	0.72	3.0	1.41	3.0	2.03	3.0	3.15



A 117 B 49 C 256 D 159 E 99 (mm)

Type	Delivered lumen output (lm)	System power (W)	EEI ³
930	3870	35	A++
940	3840	36	A++
840	3880	30	A++

Note

*Product available with meat or bread COB.

Final shipping destination may require minor modifications of components as well as catalogue numbers, be sure to state the country in which the fixtures will be used.