

ExO | 5000

Technical specification

A powerful one-directional wall washer ideally suited for even and smooth wall washing in any retail environment. All our ExO can be spaced far apart while still providing effective lighting. This results in lower initial, installation and running costs. Indirect lighting minimises glare resulting in a calm yet bright retail environment where light, and the customers attention, is focused fully on the goods on display.

Model and colors Available in white, black and grey.

Area of use Wall washer for Indoor applications.

Technical data

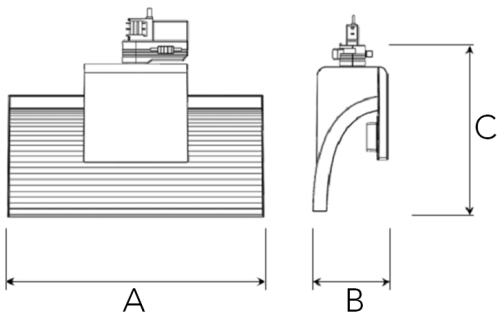
Mains (input) voltage	220-240 V
Total weight	0.85 kg
Form of protection	IP 20, class I
Light source	LED
Operating position	360°
Start time	Instant
Driver	Built in
Optics	Anodized aluminium reflector
Beam spreads	Flood

Art no	Description	Color
311-702-10	Flood	White
311-702-20	Flood	Black
311-702-30	Flood	Grey
311-7xx-10	Tiltable, Flood	White
311-7xx-20	Tiltable, Flood	Black
311-7xx-30	Tiltable, Flood	Grey

Type	Delivered lumen output (lm)	System power (W)	EEI ³
840	4600	38	A++

Note

Final shipping destination may require minor modifications of components as well as catalogue numbers, be sure to state the country in which the fixtures will be used.



A 300 B 93 C 207 (mm)