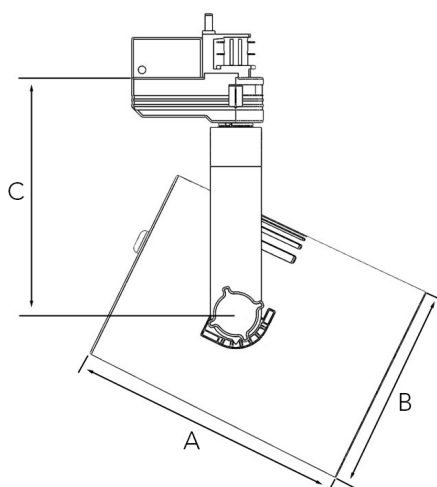
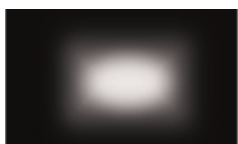




Oval	
60° / 40°	
m	ø
1.0	1.13
2.0	2.25
3.0	3.38



A 162 B 121 C 139 (mm)

Tubix 3000/4000 OVAL REFLECTOR

Technical specification

Track light with incorporated electronic gear and Chip on board. High quality Oval beam reflector, which reduces the hotspot and reduces the risk of damaging the meat and sensitive fresh food items. Lamp housing of die-cast aluminium for optimal cooling, long lifetime and low weight. Black front ring.

Model and colors Available in white, black and grey.

Area of use Track light for indoor applications.

Technical data

Mains (input) voltage	220-240 V
Total weight	1,2 kg
Form of protection	IP 20, class I
Color temperature	2000-5000 K
Light source	LED
Operating position	360°/90°
Driver	Built in
Optics	Anodized aluminium reflector
Beam spreads	Oval

Art no	Description	Color
274-750-10	Oval reflector, 3000lm	White
274-750-20	Oval reflector, 3000lm	Black
274-750-30	Oval reflector, 3000lm	Grey
274-752-10	Oval reflector, 4000lm	White
274-752-20	Oval reflector, 4000lm	Black
274-752-30	Oval reflector, 4000lm	Grey
274-210-100	Flaps kit	-
265-307-001	Honeycomb filter	-
274-322-001	Filter holder	-

Note

The above article numbers applies to 930.

Product available with FOOD COB on request.

Final shipping destination may require minor modifications of components as well as article numbers, be sure to state the country in which the fixtures will be used.