



Tubix 4000

Technical specification

Track light with incorporated electronic gear and Chip on board. High quality reflectors with four different beam spreads. Lamp housing of die-cast aluminium for optimal cooling, long lifetime and low weight. Black front ring.

Model and colors Available in white, black and grey.

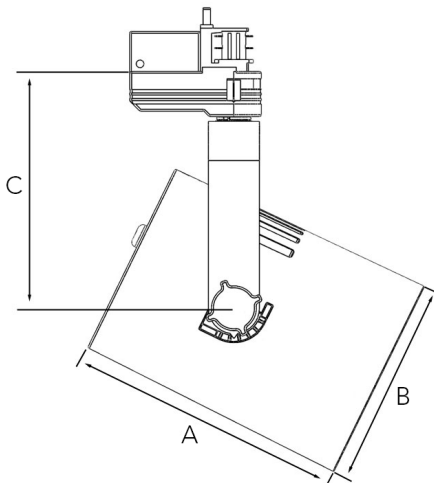
Area of use Track light for indoor applications.

Technical data

Mains (input) voltage	220-240 V
Total weight	1,2 kg
Form of protection	IP 20, class I
Light source	LED
Operating position	360°/90°
Driver	Built in
Optics	Metalized aluminum reflector
Beam spreads	Spot, Medium, Flood, Wide flood

Art no	Description	Color
274-541-11	Medium	White
274-717-10	Wide flood, diffuser glass	White
274-210-100	Flaps kit	-
265-307-001	Honeycomb filter	-
274-322-001	Filter holder	-
236-318-101	Diffuser glass	-
236-316-101	Assymetric glass	-

Spot		Medium		Flood		Wide Flood	
14°		26°		37°		55°	
m	ø	m	ø	m	ø	m	ø
1.0	0.24	1.0	0.47	1.0	0.68	1.0	1.05
2.0	0.48	2.0	0.94	2.0	1.35	2.0	2.10
3.0	0.72	3.0	1.41	3.0	2.03	3.0	3.15



A 162 B 121 C 139 (mm)

Type	Delivered lumen output (lm)	System power (W)	EEI ³
930	3900	35	A++
940	3800	36	A+
840	3880	30	A++

Note

The above article numbers applies to 930.

Product available with FOOD COB on request.

Product available in other Kelvin temperatures by request. Final shipping destination may require minor modifications of components as well as article numbers, be sure to state the country in which the fixtures will be used.