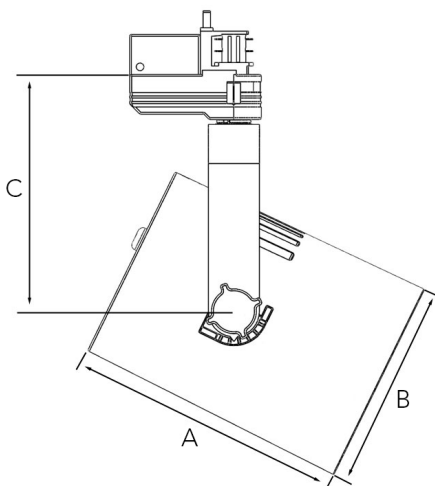




Spot		Medium		Flood		Wide Flood	
14°		26°		37°		55°	
m	ø	m	ø	m	ø	m	ø
1.0	0.24	1.0	0.47	1.0	0.68	1.0	1.05
2.0	0.48	2.0	0.94	2.0	1.35	2.0	2.10
3.0	0.72	3.0	1.41	3.0	2.03	3.0	3.15



A 162 B 121 C 139 (mm)

Tubix FOOD

Technical specification

Track light with incorporated electronic gear and Chip on board. High quality reflectors with four different beam spreads. Lamp housing of die-cast aluminium for optimal cooling, long lifetime and low weight. Black front ring.

Model and colors Available in white, black and grey.

Area of use Track light for indoor applications.

Technical data

Mains (input) voltage	220-240 V
Total weight	1,2 kg
Form of protection	IP 20, class I
Light source	LED
Operating position	360°/90°
Driver	Built in
Optics	Metalized aluminum reflector
Beam spreads	Spot, Medium, Flood, Wide flood

Art no	Description	Color
274-5xx*-10	Spot, Medium, Flood or Wide flood	White
274-5xx*-20	Spot, Medium, Flood or Wide flood	Black
274-5xx*-30	Spot, Medium, Flood or Wide flood	Grey
274-210-100	Flaps kit	-
265-307-001	Honeycomb filter	-
274-322-001	Filter holder	-
236-318-101	Diffuser glass	-
236-316-101	Assymetric glass	-

Type	Delivered lumen output / Kelvin	System power (W)	EEI ³
FB 1500	1480lm / 2500k	24	A
FB 2000	2090lm / 2500k	39	A
FF 1500	1520lm / 5000k	13	A++
FF 2000	1880lm / 5000k	15	A++
FF 3000	3000lm / 5000k	28	A+
FF 4000	3950lm / 5000k	39	A+
FV 2000	1900lm / 3000k	19	A+
FV 3000	2970lm / 3000k	31	A
FV 4000	3600lm / 3000k	39	A
FM 1500	1420lm / 2000k	22	A
FM 2000	1950lm / 2000k	31	A
FM 2500	2360lm / 2000k	39	A

Note

*Art nr. -5xx = Depends on COB choice.

FB suitable for bread products.

FF suitable for fish products.

FV suitable for fruit and vegetables products.

FM suitable for meat products.

Final shipping destination may require minor modifications of components as well as article numbers, be sure to state the country in which the fixtures will be used.