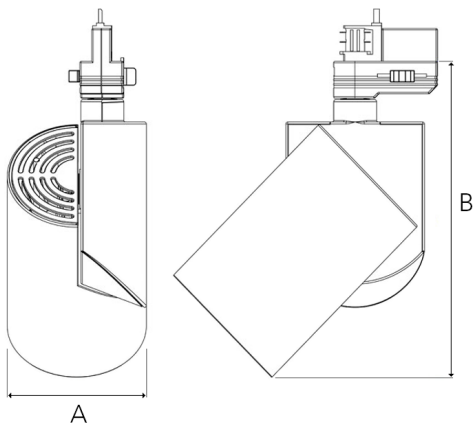




Spot		Medium		Flood		Wide Flood	
14°		27°		38°		56°	
m	ø	m	ø	m	ø	m	ø
1.0	0.25	1.0	0.48	1.0	0.69	1.0	1.07
2.0	0.49	2.0	0.95	2.0	1.39	2.0	2.14
3.0	0.74	3.0	1.43	3.0	2.08	3.0	3.22



A 103,5 B 227 (mm)

## Zylinder 4000

### Technical specification

Track light with incorporated electronic gear and Chip on board. High quality reflectors with four different beam spreads. Lamp housing of die-cast aluminium for optimal cooling, long lifetime and low weight. Black front ring.

**Model and colors** Available in white, black and grey.

**Area of use** Track light for indoor applications.

### Technical data

Mains (input) voltage	220-240 V
Total weight	0,91 kg
Form of protection	IP 20, class I
Light source	LED
Operating position	360°/90°
Driver	Built in
Optics	Metalized aluminum reflector
Beam spreads	Spot, Medium, Flood, Wide flood

Art no	Description	Color
288-510-10	Spot	White
288-510-20	Spot	Black
288-510-30	Spot	Grey
288-511-10	Medium	White
288-511-20	Medium	Black
288-511-30	Medium	Grey
288-512-10	Flood	White
288-512-20	Flood	Black
288-512-30	Flood	Grey
288-513-10	Wide flood	White
288-513-20	Wide flood	Black
288-513-30	Wide flood	Grey
288-326-001	Anti dazzle snoot	Black
288-220-001	Flaps kit	-
288-325-001	Honeycomb filter	-
288-324-001	Filter holder	-
236-316-103	Assymetric glass	-

Type	Delivered lumen output (lm)	System power (W)	EEI <sup>3</sup>
930	3900	35	A++
940	3800	36	A+
840	3880	30	A++

### Note

The above article numbers applies to 930.

Product available with FOOD COB on request. Product available in other Kelvin temperatures on request. Product available with DALI option on request. Final shipping destination may require minor modifications of components as well as article numbers, be sure to state the country in which the fixtures will be used.