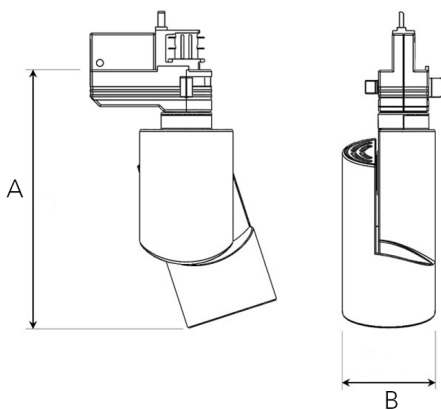




Spot		Medium		Flood		Wide Flood	
15°		27°		36°		56°	
m	ø	m	ø	m	ø	m	ø
1.0	0.26	1.0	0.47	1.0	0.65	1.0	1.06
2.0	0.53	2.0	0.95	2.0	1.30	2.0	2.12
3.0	0.79	3.0	1.42	3.0	1.95	3.0	3.18



A 166 B 60 (mm)

Zylinder micro 1200

Technical specification

Track light with incorporated electronic gear and Chip on board. High quality reflectors with four different beam spreads. Lamp housing of die-cast aluminium for optimal cooling, long lifetime and low weight. Black front ring.

Model and colors Available in white, black and grey.

Area of use Track light for indoor applications.

Technical data

Mains (input) voltage	220-240 V
Total weight	0.4 kg
Form of protection	IP 20, class I
Light source	LED
Operating position	360°/90°
Start time	Instant
Driver	Built in
Optics	Metalized aluminum reflector
Beam spreads	Spot, Medium, Flood, Wide flood

Art no	Description	Color
305-500-10	Spot	White
305-500-20	Spot	Black
305-500-30	Spot	Grey
305-501-10	Medium	White
305-501-20	Medium	Black
305-501-30	Medium	Grey
305-502-10	Flood	White
305-502-20	Flood	Black
305-502-30	Flood	Grey
305-503-10	Wide Flood	White
305-503-20	Wide Flood	Black
305-503-30	Wide Flood	Grey

Type	Delivered lumen output (lm)	System power (W)	EEI ³
930	1150	15	A
940	1170	15	A

Note

The above article numbers applies to 930.

Product available in other Kelvin temperatures by request. Final shipping destination may require minor modifications of components as well as article numbers, be sure to state the country in which the fixtures will be used.